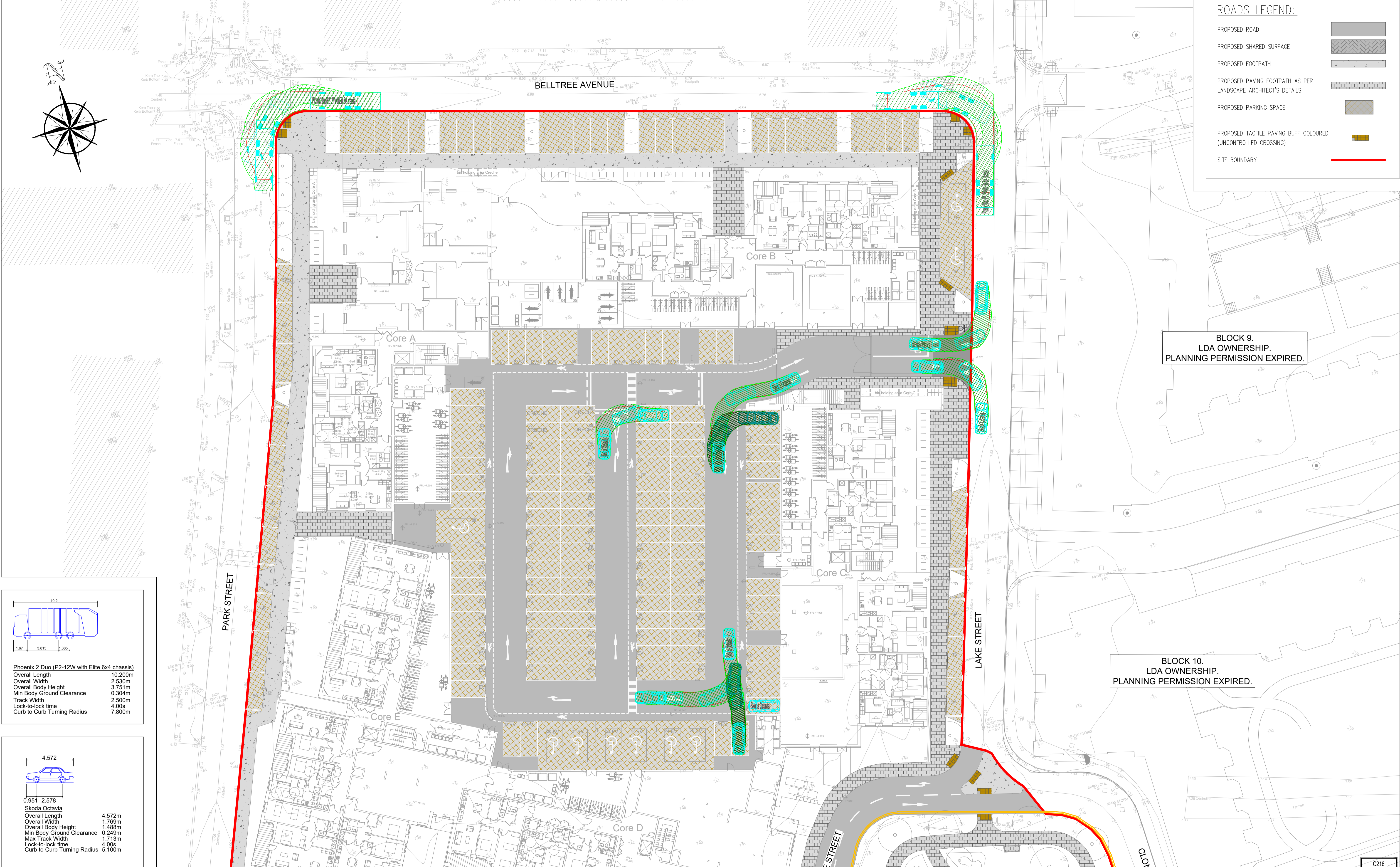


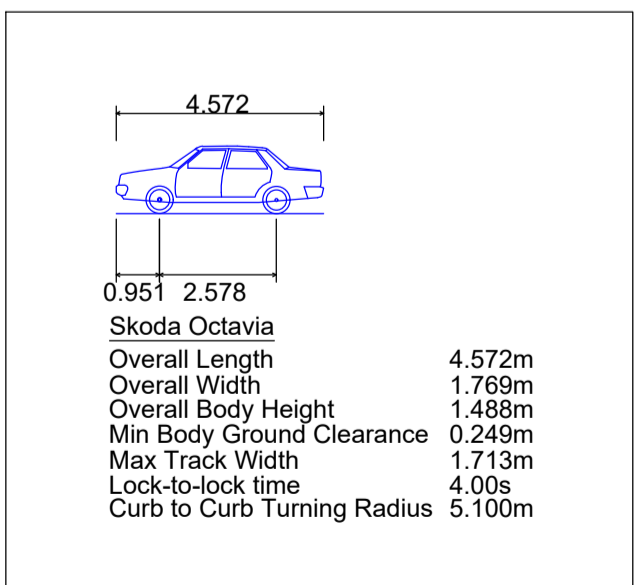
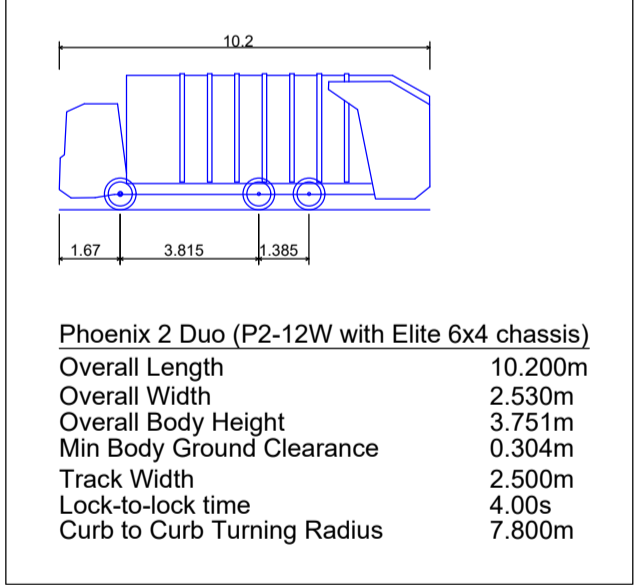
ROADS LEGEND:

PROPOSED ROAD	
PROPOSED SHARED SURFACE	
PROPOSED FOOTPATH	
PROPOSED PAVING FOOTPATH AS PER LANDSCAPE ARCHITECT'S DETAILS	
PROPOSED PARKING SPACE	
PROPOSED TACTILE PAVING BUFF COLOURED (UNCONTROLLED CROSSING)	
SITE BOUNDARY	



BLOCK 9.
LDA OWNERSHIP.
PLANNING PERMISSION EXPIRED.

BLOCK 10.
LDA OWNERSHIP.
PLANNING PERMISSION EXPIRED.



PLANNING DRAWING.
 NOT FOR CONSTRUCTION.
 ALL LEVELS GIVEN ARE
 RELATIVE TO ORDNANCE DATUM.
 THIS DRAWING HAS BEEN ISSUED FOR INFORMATION
 PURPOSES ONLY AND MUST NOT BE USED
 FOR CONSTRUCTION UNDER ANY CIRCUMSTANCES

- NOTES**
- For setting out refer to Architect's drawings.
 - This drawing to be read in conjunction with all other Architectural and Engineering drawings and all other relevant drawings and Specifications.
 - DO NOT SCALE THIS DRAWING. Use figured dimensions only.
 - No part of this document may be reproduced or transmitted in any form or stored in any retrieval system of any nature without the written permission as copyright holder except as agreed for use on the project for which the document was originally issued.
 - Ordnance Survey Ireland Licence Number EN 0074024

Rev. No	Date	REVISION NOTE	Drn. By	Chkd. By
P1	16.05.2024	ISSUED FOR STAGE 2 PLANNING	JF	GL
P2	28.06.2024	ISSUED FOR STAGE 3 PLANNING	JS	JF
P3	23.07.2024	ISSUED FOR REVIEW	JS	JF
P4	08.08.2024	ISSUED FOR REVIEW	JF	GF
P5	13.08.2024	ISSUED FOR PLANNING SUBMISSION	JS	GF

Date	Drn. by	Chkd. by	Aprvd. by	Scale	Revision
MAY 2024	JS	JF	NB	1:250 @ A1	P5

Client	LDA
Project	Clongriffin Blocks 5 & 6
Title	Swept Path Analysis Sheet 1 of 2
Dwg. No.	CLN-CSC-XX-XX-DR-C-0139

CS Consulting Group
 DUBLIN | LONDON | LIMERICK

Head Office
 19-22 Dame Street, Dublin 2.
 T: +353 (0)1 5480863
 e: info@csconsulting.ie
 w: www.csconsulting.ie

Quality Environment I.S. EN ISO 9001:2008
 NSAI Certified Energy I.S. EN ISO 14001:2004
 Health & Safety OHSAS 18001:2007